



V1.0

# RZ01 Peristaltic Pump User Manual

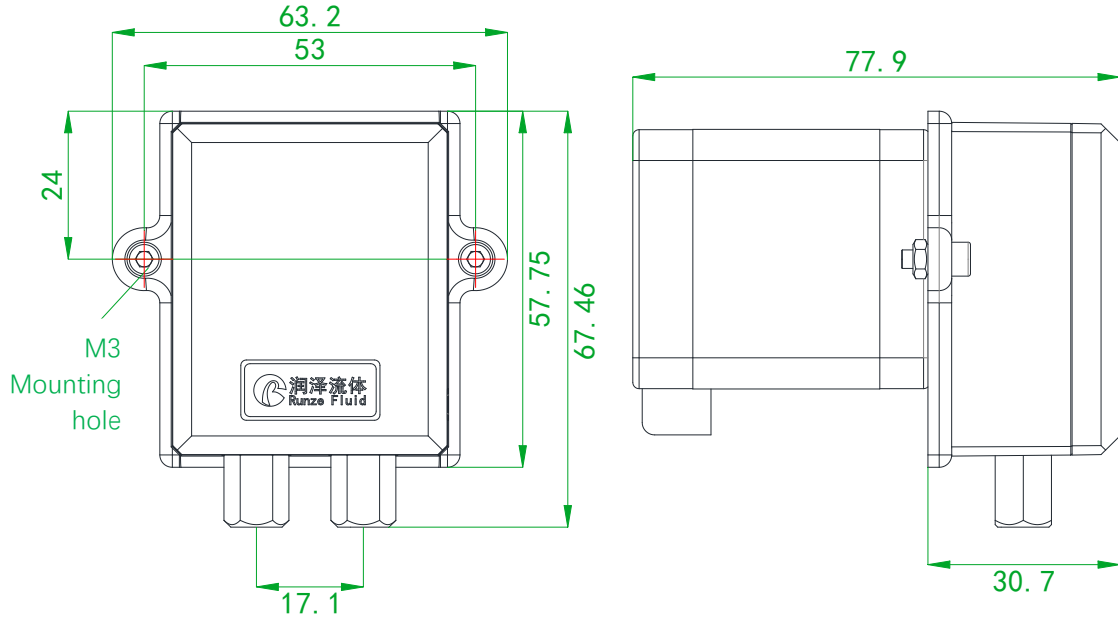
南京润泽流体控制设备有限公司  
NANJING RUNZE FLUID CONTROL EQUIPMENT CO.LTD

# Table of Contents

<b>Chapter 1 Product Introduction.....</b>	<b>3</b>
1.1 Pump Outline and Installation Dimensions (unit: mm) .....	3
1.2 Naming Rules.....	3
<b>Chapter 2 Product Introduction.....</b>	<b>4</b>
2.1 Flow Curve Chart.....	4
2.2 Technical Parameters of Motor.....	4
2.2.1 Motor Characteristics.....	4
2.2.3 Motor Wiring.....	4
2.2.3 Motor Reliability.....	5
2.2.4 Motor Dimension.....	5
<b>Chapter 3 Configuration of Pump Hose.....</b>	<b>6</b>
<b>Chapter 4 Technical Service.....</b>	<b>7</b>

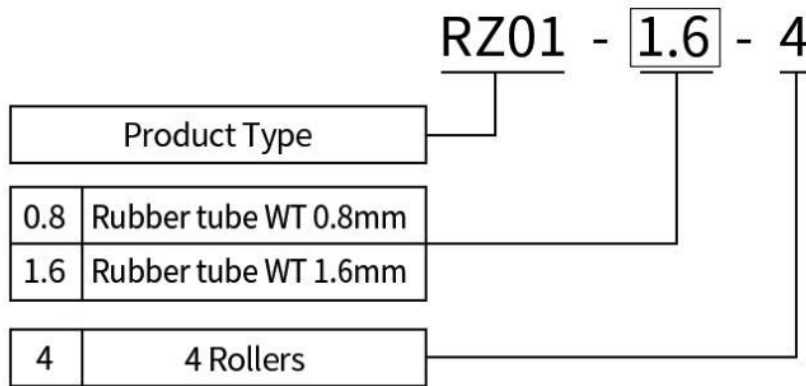
# Chapter 1 Product Introduction

## 1.1 Pump Outline and Installation Dimensions (unit: mm)



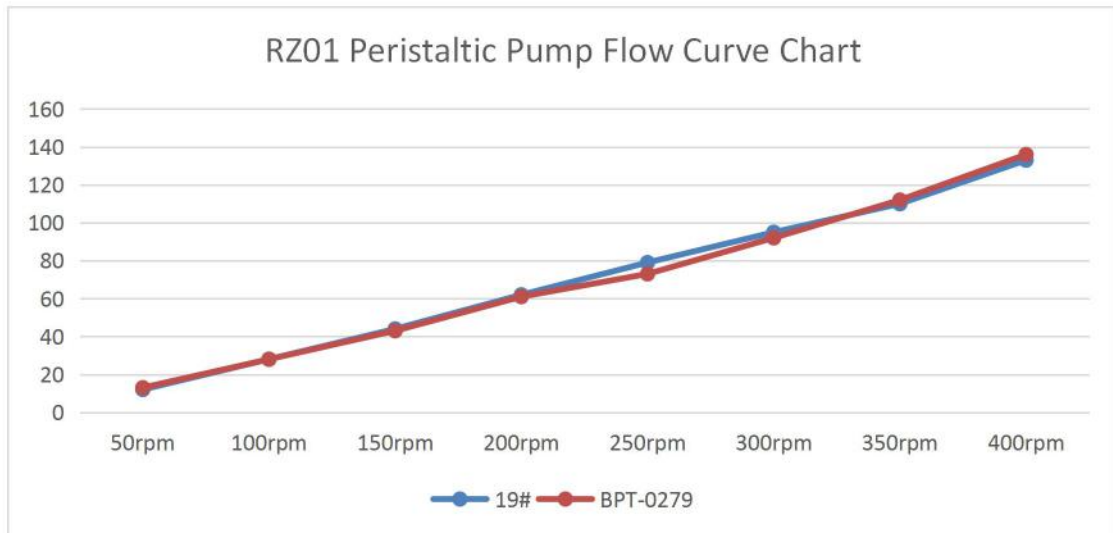
## 1.2 Naming Rules

The model parameters are as follows:



# Chapter 2 Product Introduction

## 2.1 Flow Curve Chart



## 2.2 Technical Parameters of Motor

### 2.2.1 Motor Characteristics

Name	Parameter
Rated Voltage	24V
Rated Current	1.1A
Max Output	10.1W
Motor step Angle	1.8°
Angle error	1.8°±0.09°
Input impedance	4.2Ω±0.42Ω
Work temperature	-10C°~+50C°
Weight	350g

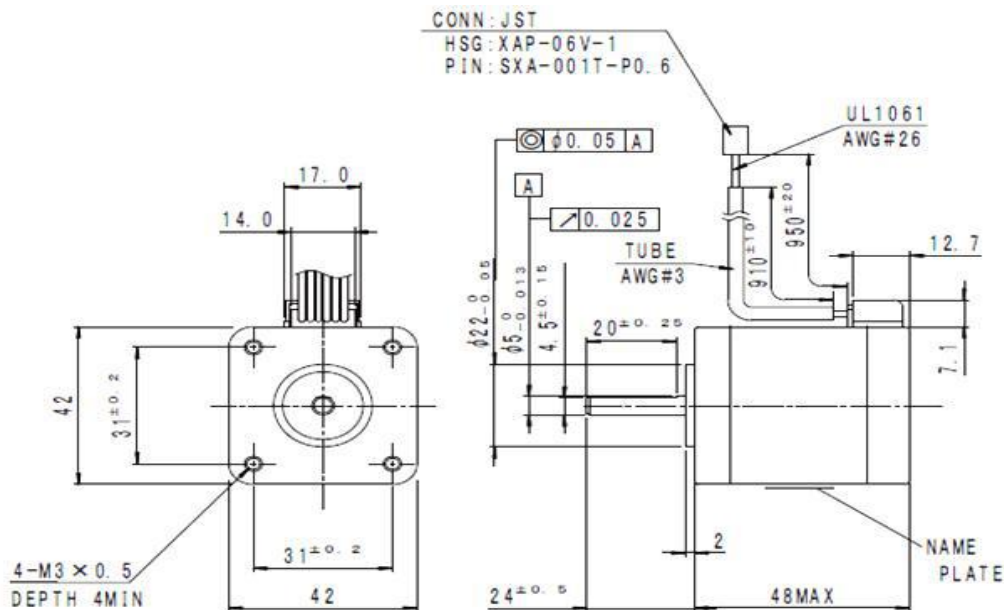
### 2.2.3 Motor Wiring

Port	Wire color
A+	RED
A-	YELLOW
B+	BLUE
B-	ORANGE

### 2.2.3 Motor Reliability

No.	Test Item	Test Condition	Reference Specifications
1	Low temperature placement (cold resistance)	Temperature : $-40\text{C}^{\circ}\pm 3\text{C}^{\circ}$ Test time : 96h	JIS C 60068-2-1
2	High temperature (heat resistance)	Temperature : $85\text{C}^{\circ}\pm 2\text{C}^{\circ}$ Test time : 96h	JIS C 60068-2-2
3	High temperature and humidity (moisture resistance)	Temperature : $60\text{C}^{\circ}\pm 2\text{C}^{\circ}$ ( $40\text{C}^{\circ}\pm 2\text{C}^{\circ}$ ) humidity : $93\%+2/-3\%$ Test time : 96h	JIS C 60068-2-3
4	Hot and cold operation (temperature variation)	Temperature : Low-temperature test - $40\text{C}^{\circ}\pm 3\text{C}^{\circ}1\text{h}$ (Temperature change time : Within 5min) High Temperature Test : $85\% \pm 2\text{C}^{\circ} 1\text{h}$ cycle index : 25 times	JIS C 60068-2-14
5	Vibration Test	Vibration range : 10Hz~55Hz~10Hz Amplitude : 1.5mm] Direction of the vibration : X.Y.Z Time: 2h in each direction	JIS C 60068-2-6
6	DROP TEST	981 accelerated velocity m/s <sup>2</sup> half sinusoid Action time : 6ms Drop Direction : $\pm X, \pm Y, \pm Z$ Drops times : 3 times in each direction	JIS C 60068-2-27

### 2.2.4 Motor Dimension



## Chapter 3 Configuration of Pump Hose

Friendly Tip: the hose can be smeared with appropriate lubricating grease to extend its service life.

Recommended length of the rubber hose is 9.5cm



**Step 1**  
Open pump head lock downward



**Step 2**  
Remove the transparent pump head cover



**Step 3**  
Install the pump hose



**Step 4**  
Notice that the two ends of the pump hose are clamped on the pump head



**Step 5**  
Install pump head cover and close pump head lock upward



**Step 6**  
Installation Complete

## Chapter 4 Technical Service



**南京润泽流体控制设备有限公司**  
Nanjing Runze Fluid Control Equipment Co.,LTD

Tel : 025-51197362

Phone : 138 5195 4068

Fax : 025-51197362

Technical support : 183 5195 5944

Official URL : <http://www.runzefluid.com>

Alibaba Store URL : <https://runzeliuti.en.alibaba.com>

Sales Email : [xiaoyan.xiang@runzeliuti.com](mailto:xiaoyan.xiang@runzeliuti.com)

Address : NO.9 Tianxing West Road, Dongshan Street, Jiangning District,  
Nanjing, Jiangsu, China



Official URL



Alibaba Store URL



Aliexpress Store URL