

SV-07 Selector Valve

多通道切换阀



- Support a variety of flow path collocation which meets the needs of different customers.
- RUNZE patented Sapphire valve rotor and stator, anti-corrosion and high-pressure, high-temperature resistance, high wear resistance, biocompatible and suitable for a variety of special media.
- High efficiency and maintenance-free stepper motor drive system via RS232/RS485/CAN
- Small footprint suits limited spaces.
- Widely used in environmental analysis instruments, laboratory analyzers, medical analysis equipment, and chromatographic analyzers, etc.

QHF-SV07 - X - S - T06 - K1.2 - S

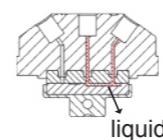
Model No. Valve type Small low voltage Configuration Orifice Sapphire

①	T6	6 port
	T8	8port
	T10	10port
	T12	12port
	T16	16port
②	K1.0	Orifice 1.0mm
	K1.2	Orifice 1.2mm

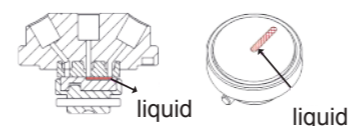
Technical Parameter

Configuration	6/8/10 port	12 port	16port
Orifice	1.2mm	1.0mm	1.0mm
Dead Volume	Port-to-Port 27.5ul Dead Volume 5.41ul	Port-to-Port 22.515ul Dead Volume:6.134ul	Port-to-Port 28.564ul Dead Volume:5.006ul
Wetted material	UPE, Sapphire rotor/stator		
Pressure rating	0-1.0Mpa(air)/0-1.6Mpa(water)		
Origin detection	Automatically detect the initial position after power on (this function can be opened or closed)		
Liquid temperature	0-150°C		
Connection	1/4-28UNF		
Replaceable parts	Stator replaceable, sealed rotor irreplaceable		
Transposition	Random start to any specific port		
Driver	Non-optional		
Valve drive	≤2s/circle	≤2s/circle	≤3.3s/circle
Baud rate	RS232/RS485: 9600bps / 19200bps / 38400bps / 57600bps / 115200bps CAN: 100Kbps/200Kbps/500Kbps/1Mbps		
Address & Parameter setting	Via Communication		
Power supply	DC24V/3A		
Max. power	60W		
Operating temperature	-10°C to 50°C		
Operating humidity	≤80% relative humidity, non-condensing		
Dimension (L*W*H)	60*51*150mm	60*51*160.5mm	60*51*179.5mm
Net Weight	0.73KG	0.86KG	1.02KG

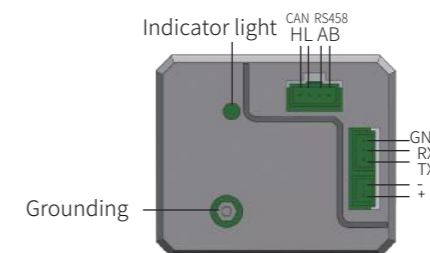
Port-to-Port Volume



Dead Volume

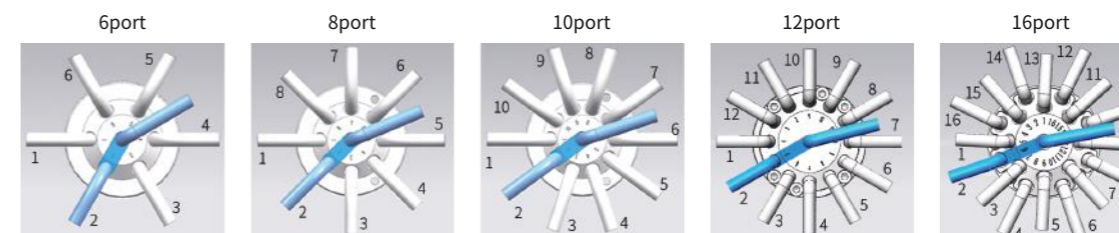


Driver Port



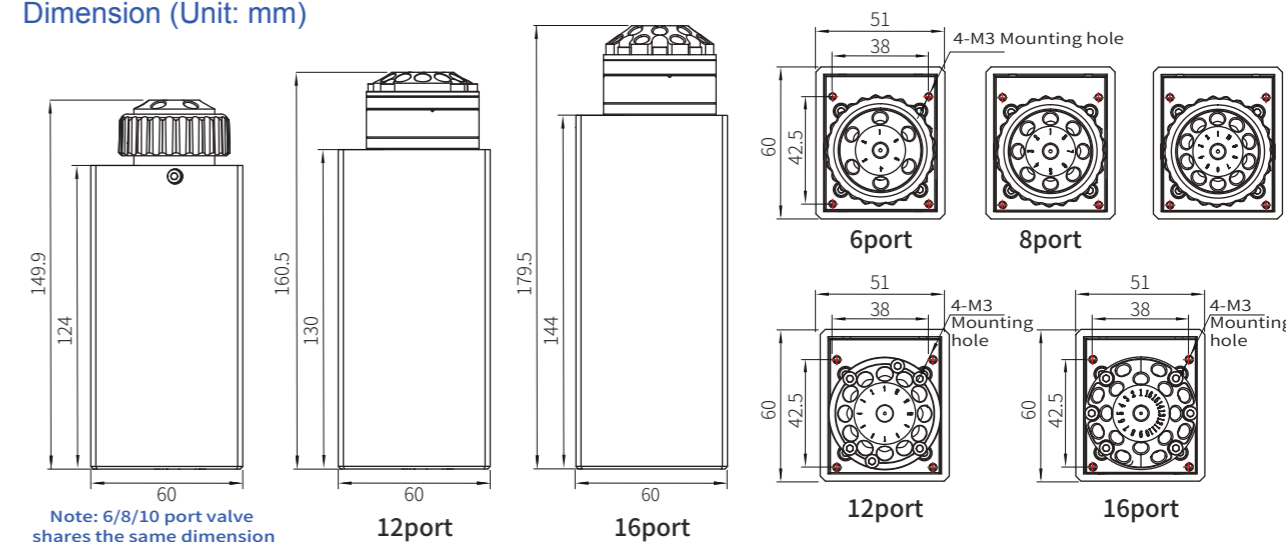
Port	Description
+	DC24V Positive
-	DC24V Negative
TX	RS232 Data Input
RX	RS232 Data Output
GND	GND
H	CANH
L	CANL
A	RS485A
B	RS485B

Flow Configuration



1. Center port is public port, valve switch to specific port by programming control.
2. Wetted material - PCTFE valve head and sapphire valve rotor and stator, non-metal, anti-corrosive, anti-high temperature, wear resistance.
3. Flow configuration - 6/8/10/12/16 port to meet different applications.
4. Reset position - SV-07 valve resets by CCW (non-changeable), rotor stays between port 1 and maximum port, and the public port disconnected with any port when valve at reset status.
5. OEM service - RUNZE supports special flow path design and customize, and its flow path configuration can meet the most common applications. RUNZE already declared the patent of a typical cross-contamination-free flow path solution, widely used in various analysis industries, and can provide overall flow path solutions for different needs of customers.

Dimension (Unit: mm)



Note: 6/8/10 port valve shares the same dimension

Smart SV-04 Selector Valve

多通道切换阀



- Selectors step incrementally through continuous revolutions
- RUNZE patented Sapphire valve rotor and stator, biocompatible, wear resistance, anti-corrosion and high temperature, long service life
- Small footprint suits limited spaces
- Available with 6, 8, 10 ports and 1.2mm orifice
- High efficiency and maintenance-free stepper motor drive system via RS232/RS485/CAN
- Low pressure selectors are available with fittings for tubing OD1.6/2.0/2.5/3.0/3.175/3.2mm

QHF-SV04- X - S - ^①T10 - K1.2 - S

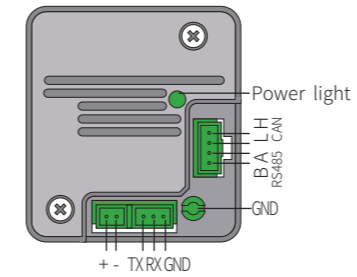
Model No. Valve type Small low voltage Configuration Orifice Sapphire

①	
T6	6 port
T8	8 port
T10	10 port

Technical Parameter

Configuration	6/8/10 port
Orifice	1.2mm
Wetted material	PCTFE valve head, Sapphire rotor/stator
Dead volume	Port to port volume 27.5ul Sealed rotor port 5.4ul
Pressure rating	0-0.5Mpa (air) / 0-0.6Mpa (water)
Origin detection	Auto reset to initial position when powered on (this function can be opened or closed)
Liquid temperature	0-150°C
Connection	1/4-28UNF
Replaceable parts	Stator replaceable, sealed rotor irreplaceable
Transposition	Random start to any specific port
Driver	Non-optional
Valve drive	≤4s/circle
Max. torque	4N/m
Communication	RS232/RS485/CAN
Baud rate	RS232/RS485: 9600bps, 19200bps, 38400bps, 57600bps, 115200bps CAN: 100Kbps, 200Kbps, 500Kbps, 1Mbps
Address & Parameter setting	Via communication
Power supply	DC24V/1A
Max. power	24W
Operating temperature	0°C-50°C
Operating humidity	<80% relative humidity, non-condensing
Dimension (L*W*H)	63.7*50.4*115.2mm
Net weight	0.437kg

Driver Port



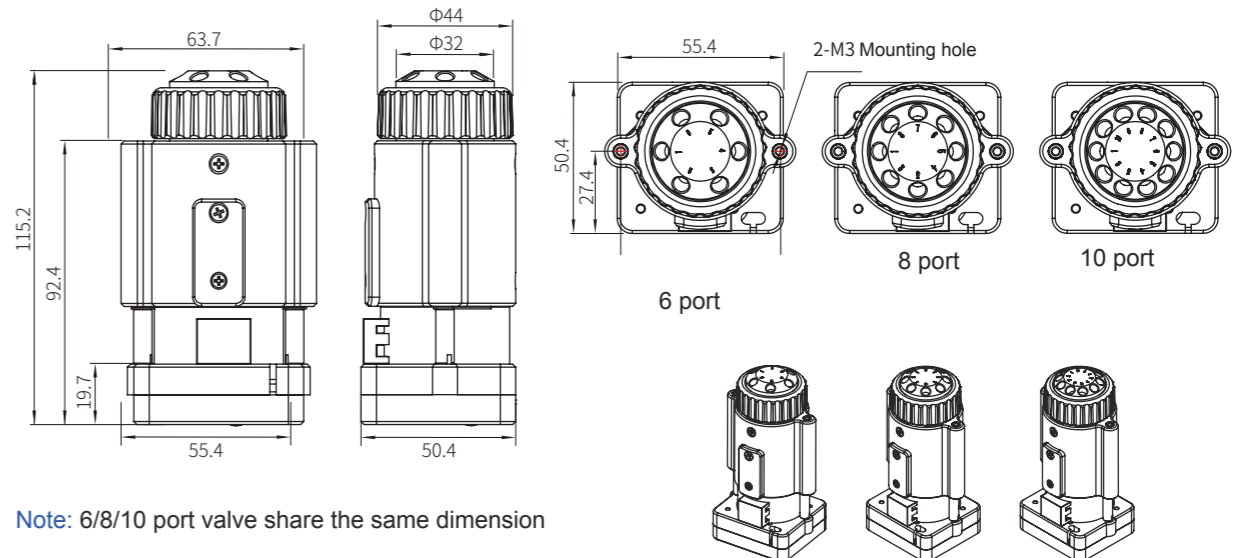
Port	Description	Port	Description
+	DC24V positive	H	CANH
-	DC24V negative	L	CANL
TX	RS232 data input	A	RS485 A
RX	RS232 data output	B	RS485 B
GND	GND		

Flow Path



1. Center port is public port, valve switch to specific port by programming control
2. Wetted material - PCTFE valve head and sapphire valve rotor and stator, non-metal, anti corrosive anti high temperature, wear resistance
3. Flow configuration - 6/8/10 port
4. Reset position - SV-04 valve reset by CCW (non-changeable), rotor stay between port 1 and maximum port, public port disconnected with any port when valve at reset position
5. OEM service - RUNZE support special flow path design and customize

Dimension (unit: mm)



Note: 6/8/10 port valve share the same dimension